



**Datacard® SP35/SP35 Plus
Card Printer**

Illustrated Parts Manual

April 2007

Part No. 539695-001, Rev A

Liability Statement

This product has been built to the high standards of Datacard Group. Please do not attempt to operate or repair this equipment without adequate training. Any use, operation, or repair in contravention of this document is at your own risk. By acceptance of this system you hereby assume all liability consequent to your use or misuse of this equipment. Datacard assumes no liability for incidental, special, or consequential damage of any kind. Equipment specifications, applications, and options are subject to change at the sole discretion of Datacard without notice.

Proprietary Notice

All drawings and information herein are the property of DataCard Corporation. All unauthorized use and reproduction is prohibited.

Trademark Acknowledgments

Datacard is a registered trademark and service mark of DataCard Corporation in the United States and other countries.

All other product names are the property of their respective owners.

Datacard Group

11111 Bren Road West
Minnetonka, MN 55343-9015
952.933.1223
Fax: 952.933.7971
www.datacard.com

© 2007 DataCard Corporation. All rights reserved.
Printed in the United States of America.

Contents

Supplies	1
Enclosure	2
Swingarm Assembly	4
Print Transport, Underside	5
Print Transport, Top Side	6
Print Transport, Drivetrain	8
Electrical Components	9
Print Engine Functional Block Diagram	10
Power Supply and External Cables	11
Clear Card Option	12
Magnetic Stripe Options	13
Smart Card Options	14
Packaging	16

Revision Log

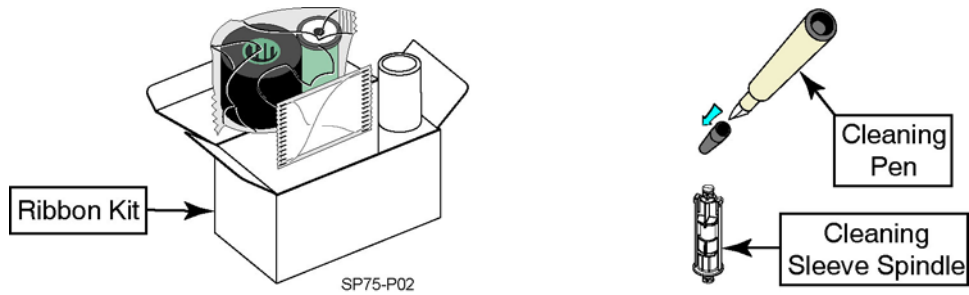
SP35/SP35 Plus Card Printer Illustrated Parts Manual

Revision	Date	Description of Changes
A	April 2007	First release of this document.

Supplies

Description	Part Number	
	SP35 Plus	SP35
YMCKT Supplies Kit (250 yield)	552854-204	552854-204
YMCKT Supplies Kit (500 yield)	552854-504	552854-504
YMCKT Supplies Kit (650 yield)	552854-530	552854-530
KT Supplies Kit	552854-509	552854-509
Black Monochrome Kit	552954-501	552954-501
Dark Blue Monochrome Kit	552954-502	552954-502
White Monochrome Kit	552954-503	552954-503
Red Monochrome Kit	552954-504	552954-504
Silver Monochrome Kit	552954-507	552954-507
Scratch Off Monochrome Kit	552954-513	552954-513
Cleaning Sleeve 5-Pack	569946-001	569946-001
Cleaning Kit 10-Pack	570113-001	---
Printhead Cleaning Pen	557492-001	557492-001
Cleaning Card, 10-Pack	552141-002	552141-002
Stickcards (100 per box)	597640-001	597640-001
Cleaning Sleeve Spindle	551148-001	551148-001
Soft-Side Case	553950-002	553950-002

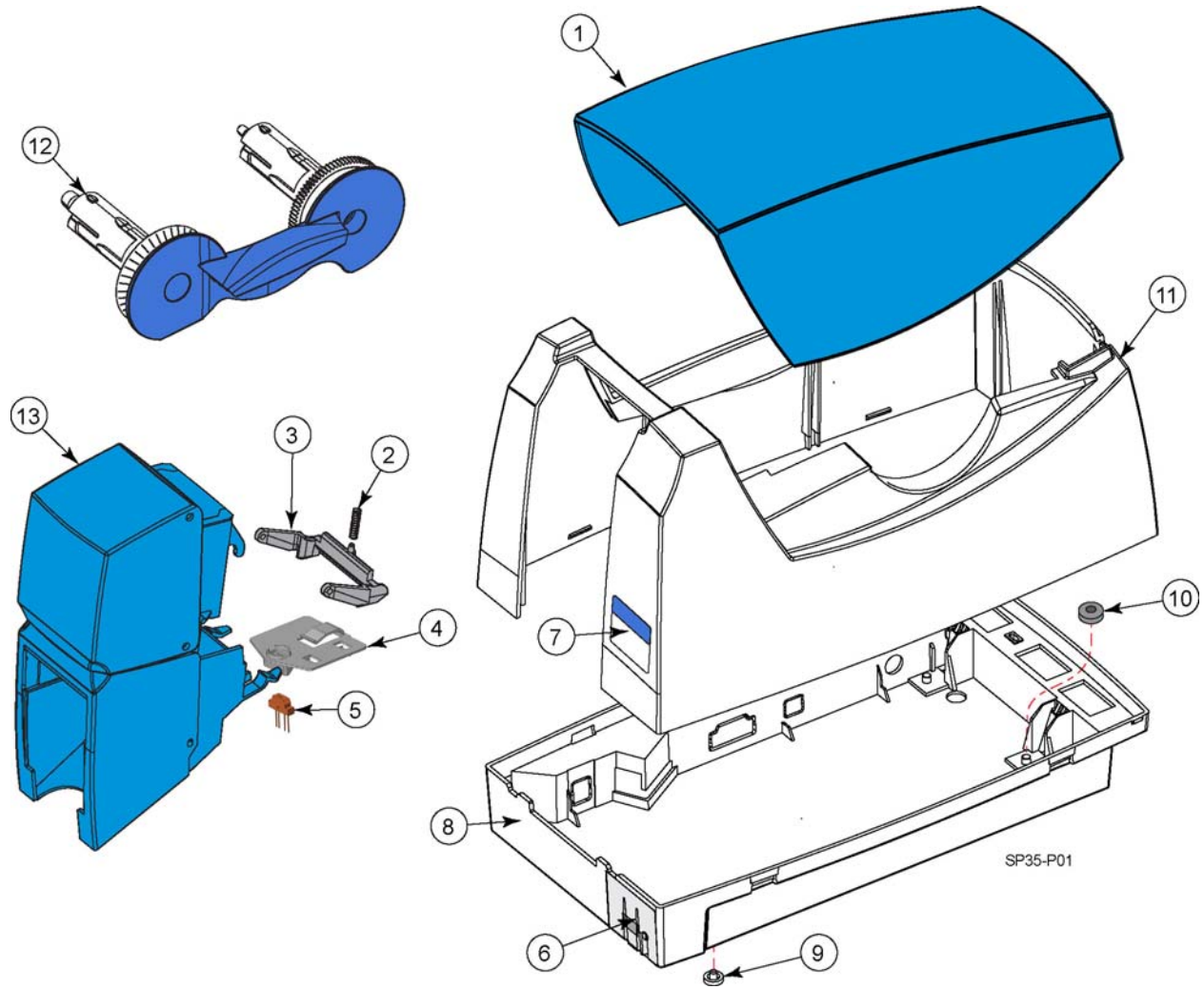
i All of the foil and ribbon supplies listed above come in a kit that includes the ribbon, cleaning sleeve, and cleaning card as shown at the left below.



Enclosure

The serial numbers (SN) for the SP35 Plus are 90000 and above; RoHS-compatible SP35 printers are between 70000 and 89999; pre-RoHS SP35 printers are SN 69999 or lower.

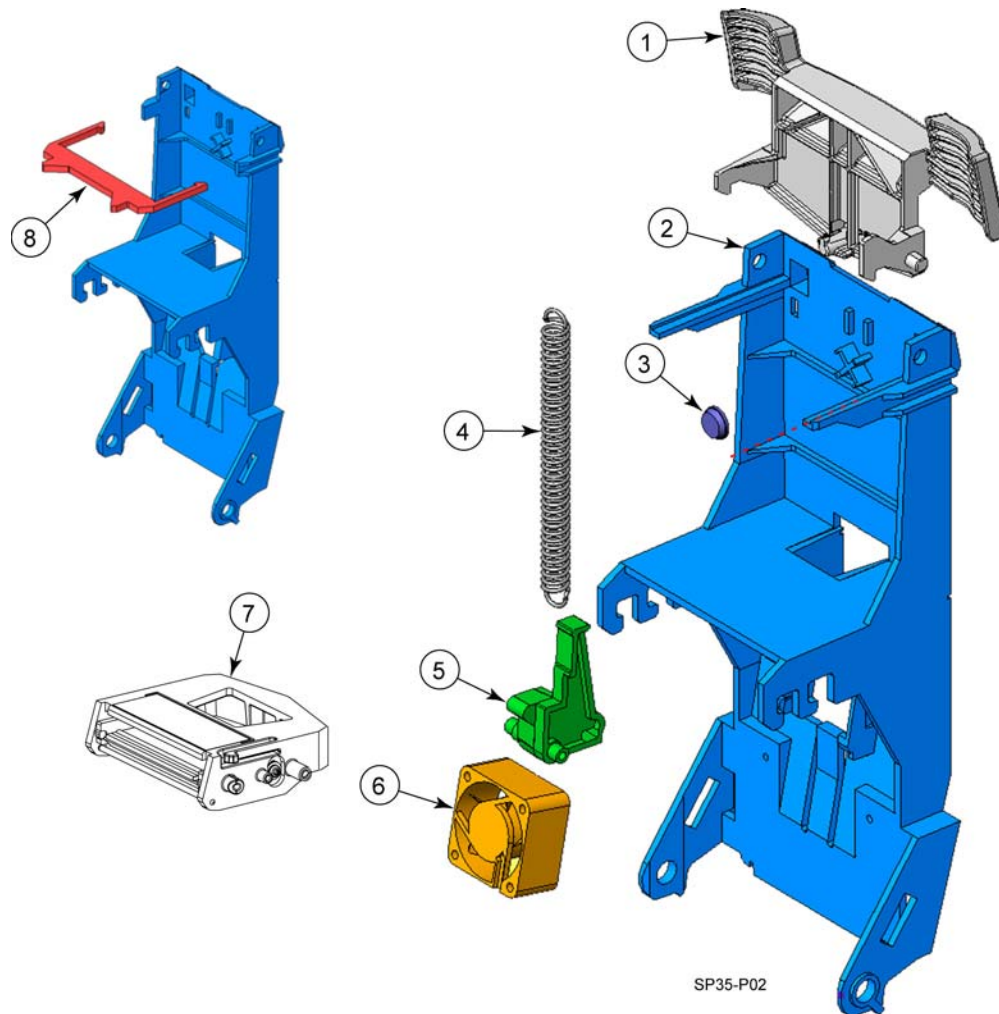
Item	Part Number		Description	Qty
	SP35 Plus	SP35		
1	551447-001	551447-001	Swingarm Cover (Cover Enclosure)	1
2	553949-001	553949-001	Card Gate Spring	1
3	569837-001	569837-001	Card Gate	1
4	569966-001	---	Bracket, Hopper Empty Sensor	1
5	566752-001	---	Sensor, Hopper Empty	1
6	551441-006	551441-001	Printer Label, Interface	1
7	---	552146-001	Printer Logo Label	
7a	570357-001	---	Nameplate Base	1
7b	570358-002	---	Nameplate (Dome)	1
8	551478-004	551478-001	Base, with 2-feet and 2-Control Board Isolators	1
9	551454-001	551454-001	Printer Feet	3
10	551453-001	551453-001	Control Board Isolator (alias: compression foot)	2
11	551446-004	551446-001	Enclosure Body	1
12	568899-999	568899-999	Print Ribbon Cartridge	1
13	569837-001	569837-001	Card Tray	1



Swingarm Assembly

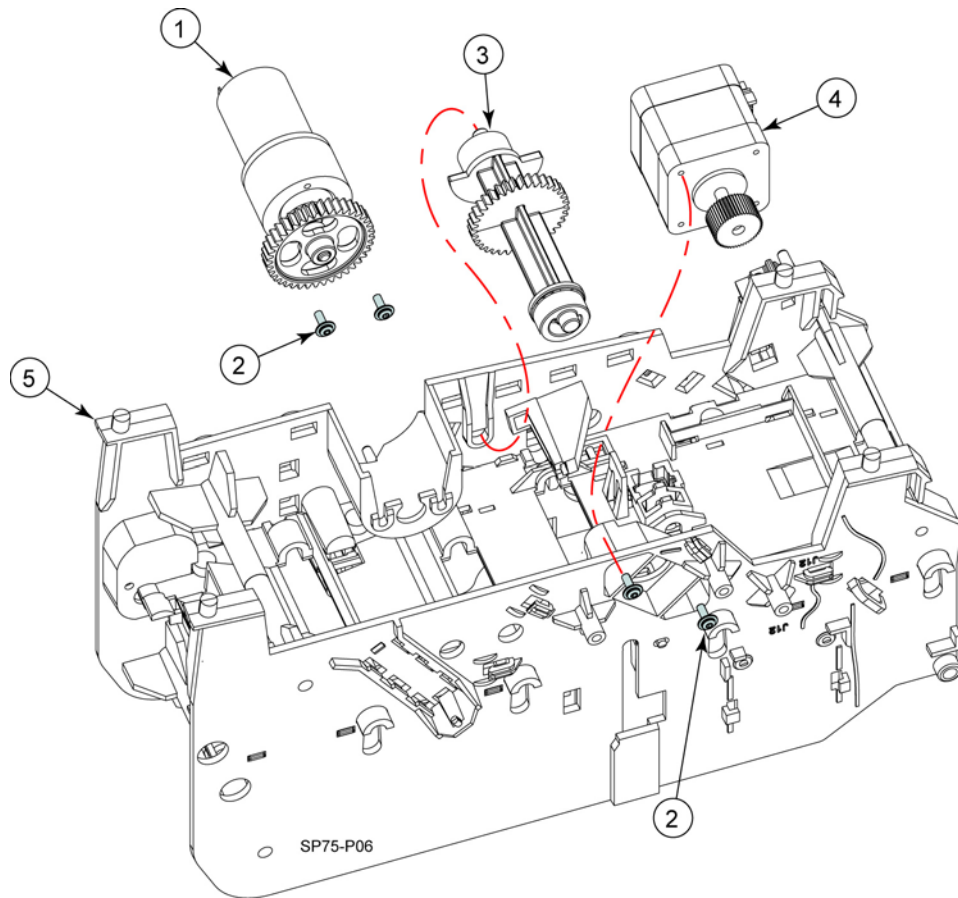
Item	Part Number		Description	Qty
	SP35 Plus	SP35		
-	---	559645-999	Swingarm Assembly (includes items 1 through 6)	1
-	570311-001	559645-001	Swingarm Assembly (without fan)	
1	570305-001	551116-001	Swingarm Latch	1
2	558430-001	558430-001	Swingarm	1
3	551454-001	551454-001	Bumper (alias: enclosure foot)	1
4	553806-001	553806-001	Printhead Bias Spring	1
5	551114-001	551114-001	Printhead Release Lever (alias: spring lever)	1
6	569714-001	569714-001	Printhead Fan	1
7	569110-999	569110-999	Printhead, Color	1
	569110-998	569110-998	Printhead, Monochrome	
8	NA	563877-001	Swingarm Clip*	-

* The swingarm clip is an optional item for older model SP-series swingarms to hold the cleaning roller in place during shipping or transportation.



Print Transport, Underside

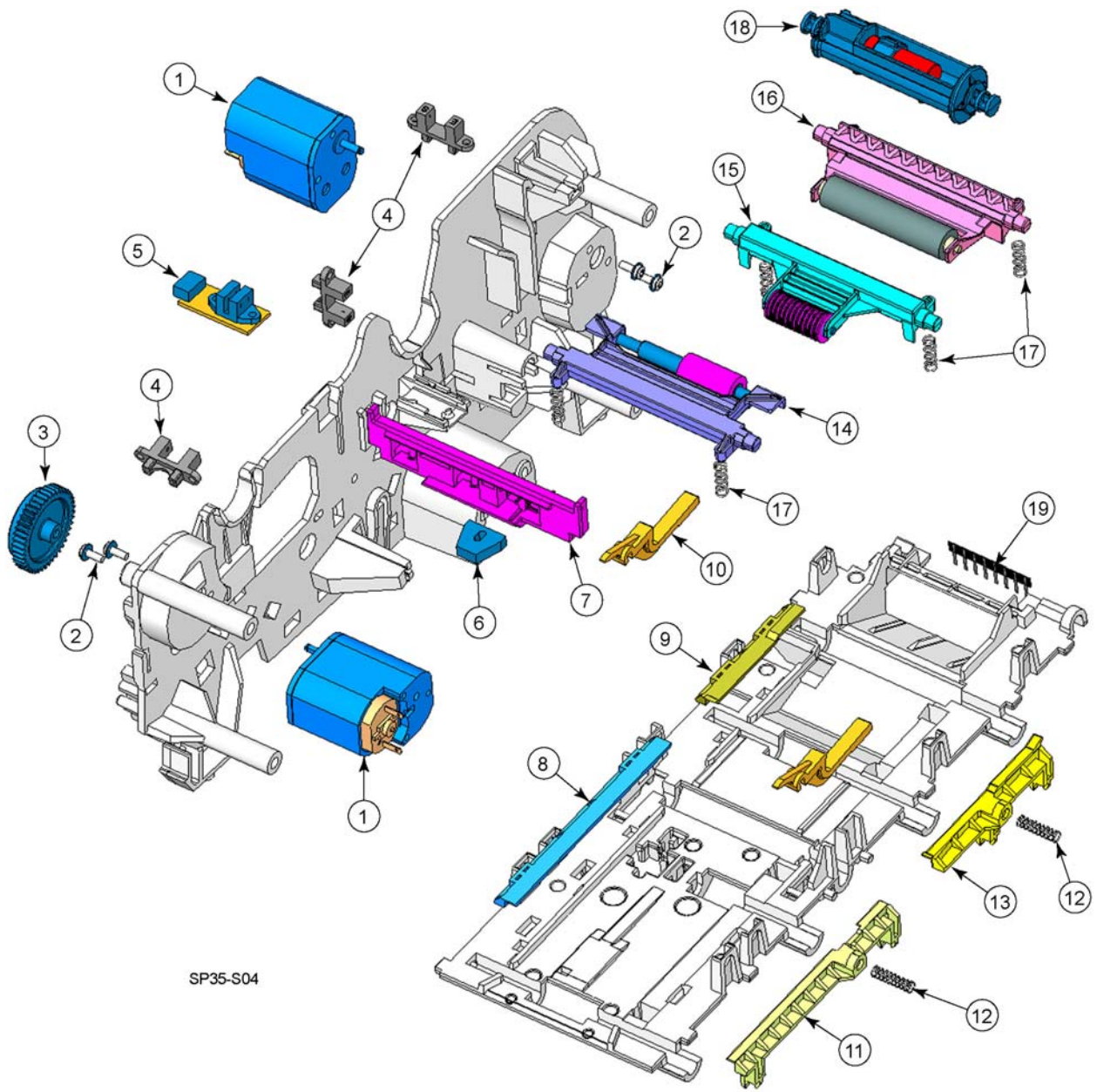
Item	Part Number		Description	Qty
	SP35 Plus	SP35		
1	566928-001	566928-001	Cam Motor	1
2	809428-208	809428-208	Motor Screws	4
3	551413-001	551413-001	Printhead Cam	1
4	569650-001	569650-001	Transport Motor	1
5	570242-999	570242-999	Transport Chassis with Idler Pulleys and Tensioner	1



Print Transport, Top Side

The same part numbers are used for the SP35 Plus and SP35 models.

Item	Part Number	Description	Qty
1	566929-001	Ribbon and Pick Motors	2
2	809428-208	Motor Screws, Torx, Sems, M3x8	4
3	551402-001	Ribbon Gear	1
4	566751-001	Cam, Input, and Swingarm Sensors, Wide Slot	3
5	566405-001	Ribbon Encoder Sensor (circuit board)	1
6	566753-001	Ribbon Index Sensor, Reflective	1
7	552071-001	Ribbon Guide	1
8	552245-001	Rear Card Guide Cover	1
9	552250-001	Front Card Guide Cover	1
10	551520-001	Printhead Lifter	2
11	570648-001	Rear Card Guide	1
12	551471-001	Card Guide Bias Spring	2
13	551437-001	Front Card Guide	1
14	564635-001	Rear Rocker Assembly	1
15	551422-001	Front Rocker Assembly	1
16	551425-001	Cleaning Rocker Assembly	1
17	551459-001	Rocker Arm Spring	6
18	551148-001	Cleaning Sleeve Spindle	1
19	552143-001	Static Brush, Self-Adhesive	1

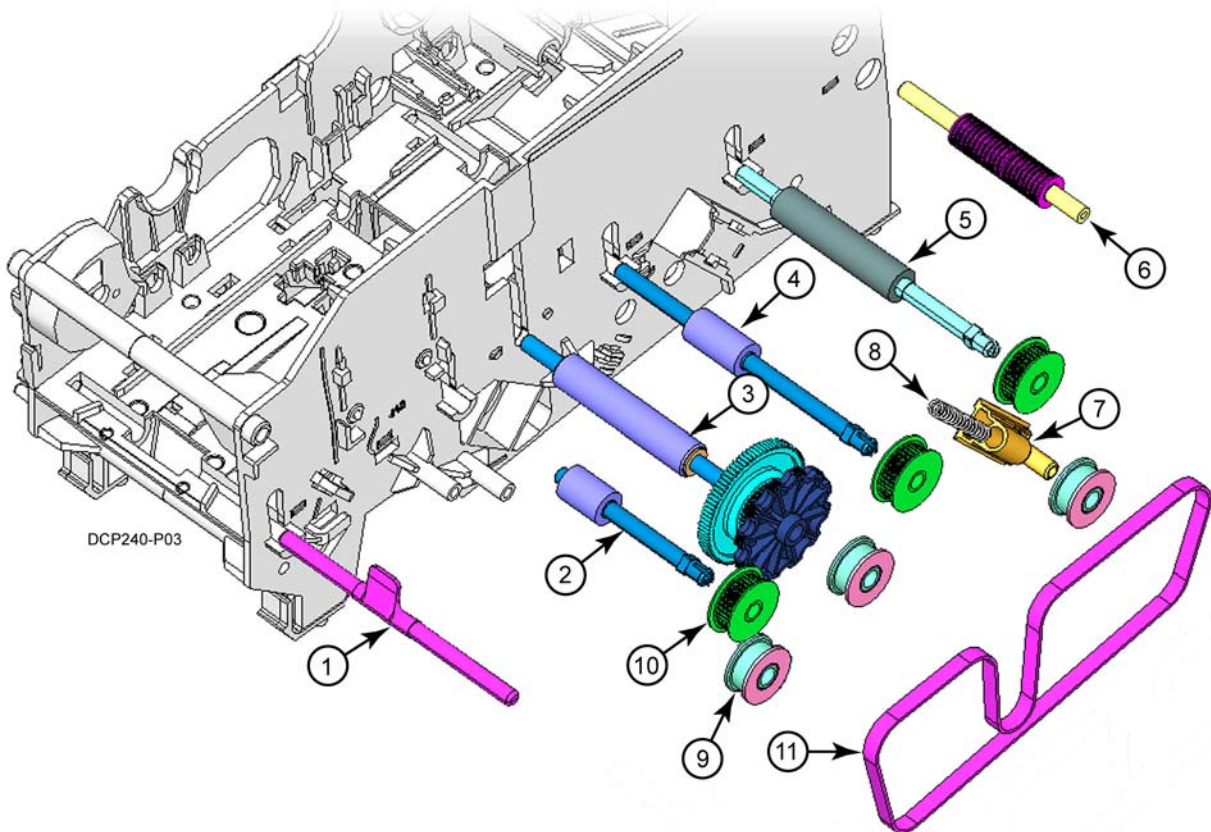


SP35-S04

Print Transport, Drivetrain

The same part numbers are used for the SP35 Plus and SP35 models.

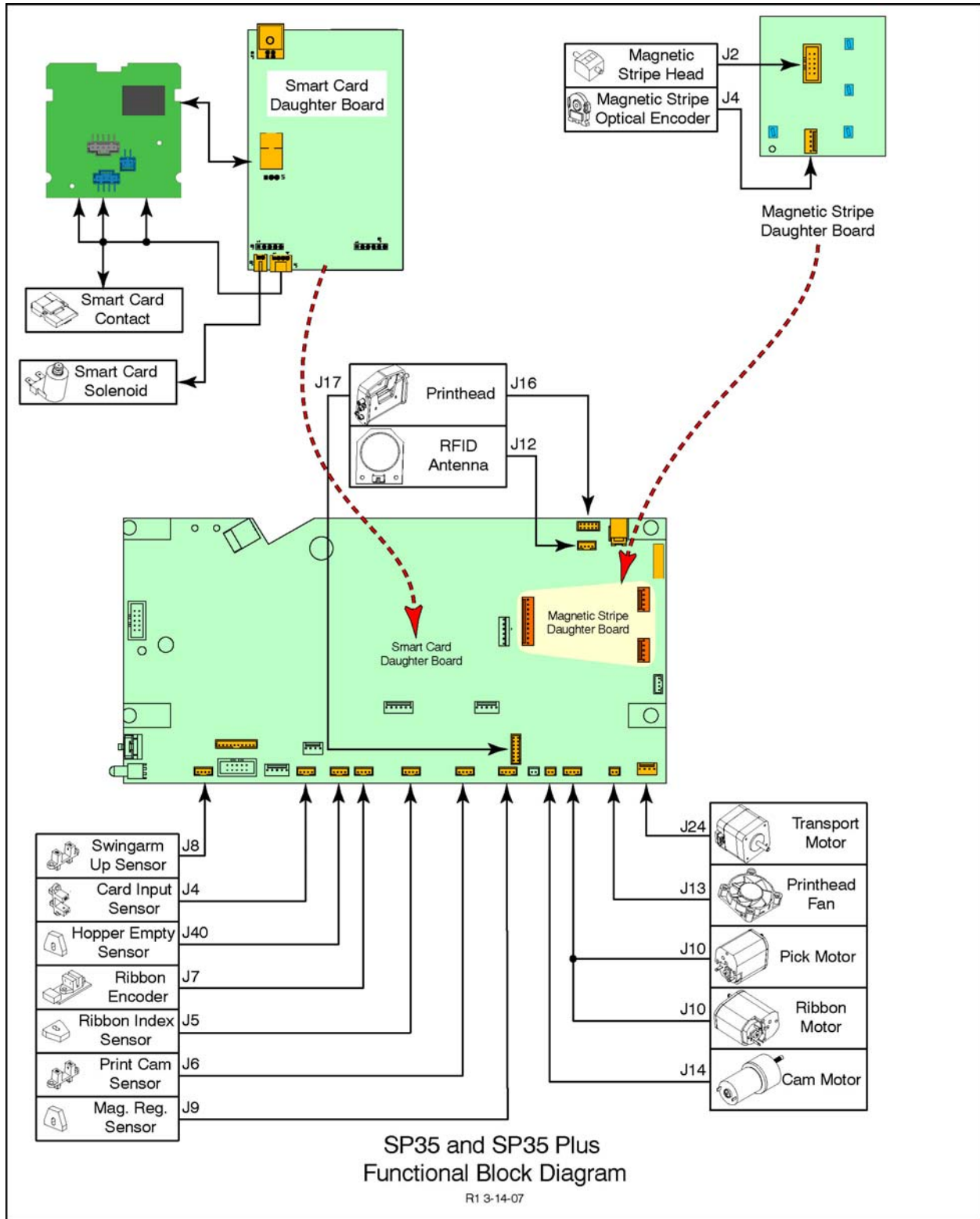
Item	Part Number	Description	Qty
1	554915-001	Card (Mag) Stop (on simplex printers only)	1
2	564634-001	Rear Transport Drive Roller	1
3	566935-001	Platen Roller	1
4	564632-001	Forward Transport Drive Roller	1
5	551421-001	Cleaning Drive Roller	1
6	570040-001	Pick Roller	1
7	559270-001	Belt Tensioner	1
8	568093-001	Belt Tension Spring	1
9	559269-001	Idler Pulley	4
10	554234-001	Drive Pulley	3 or 4
11	552142-001	Drive Belt	1



Electrical Components

Part Number			Description	Qty
SP35 Plus	SP35 SN 70000 and greater	SP35 SN under 70000		
564595-011	564595-001	553975-001	Main Control Board, Color	1
564595-969	564595-998	553975-998	Main Control Board, Mono	1
566751-001	566751-001	566751-001	Swingarm Up Sensor, Wide slot	1
566751-001	566751-001	566751-001	Card Input Sensor, Wide slot	1
566405-001	566405-001	566405-001	Ribbon Encoder Sensor	1
566755-001	566755-001	566755-001	Ribbon Encoder Cable	1
566753-001	566753-001	566753-001	Ribbon Index Sensor, Reflective	1
566751-001	566751-001	566751-001	Print Cam Sensor, Wide slot	1
566928-001	566928-001	566928-001	Cam Motor	1
566929-001	566929-001	566929-001	Ribbon and Pick Motors	2
566759-001	566759-001	566759-001	Ribbon and Pick Motor Cable (Single cable for both DC motors)	1
569714-001	569714-001	569714-001	Printhead Fan	1
569650-001	569650-001	569650-001	Transport Motor	1
566406-001	566406-001	566406-001	RFID Antenna	1
566755-001	566755-001	566755-001	RFID Cable	1
569110-999	569110-999	569110-999	Color Printhead	1
569110-998	569110-998	569110-998	Monochrome Printhead	1
568614-001	568614-001	568614-001	Printhead Cable	1
---	---	809561-004	Ferrite Bead Inductor	1
566752-001	---	---	Hopper Empty Sensor	1


Print Engine Functional Block Diagram



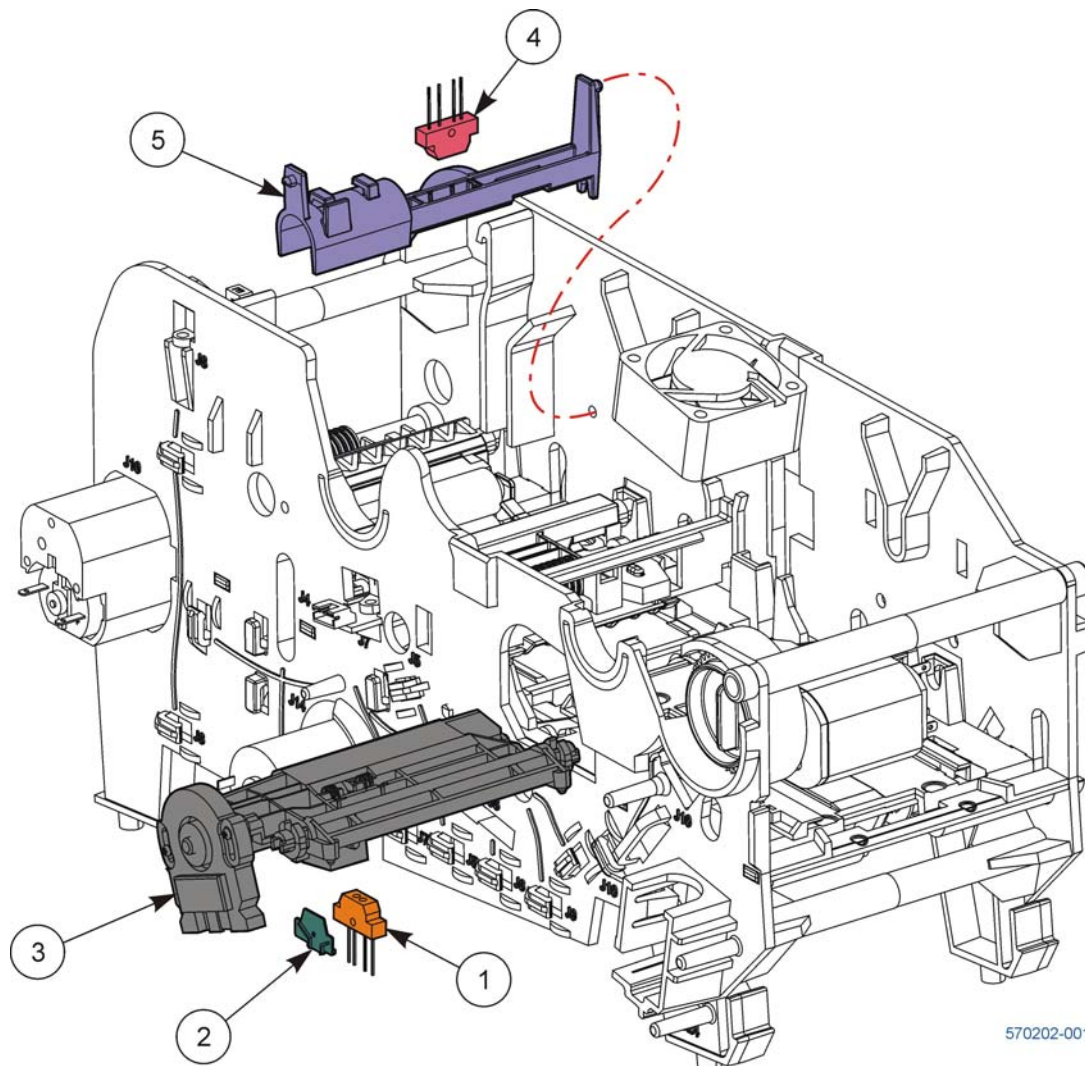
Power Supply and External Cables

Part Number	Description	Qty
809519-002	USB Cable, 6-foot with Ferrite Bead	1
805815-004	Optional Smart Card Serial Port Cable-Contact Station DSUB, 9M-9F, 6-foot (SN Under 69999)	1
809595-001	Power Supply (AC cord not included)	1
804517-003	Power Cord, US/NA, 10A, 18GA 3CND, 125V AC	1
809587-001	Power Cord, US/NA, 10A, 18GA 3CND, 220V AC	
809440-001	Power Cord, Intl, 10A, Europe	
809440-010	Power Cord, Intl, 10A, Australia	
809440-003	Power Cord, Intl, 10A, UK	
809440-004	Power Cord, Intl, 10A, Denmark	
809440-005	Power Cord, Intl, 10A, India	
809440-006	Power Cord, Intl, 10A, Israel	
809440-007	Power Cord, Intl, 10A, Italy	
809440-008	Power Cord, Intl, 10A, Switzerland	
809440-009	Power Cord, Intl, 10A, China	
809445-001	Power Cord, Intl, 7A, 125V, Japan	

Clear Card Option

 This option is not available on the SP35.

Item	Part Number	Description	Qty
1	566752-001	Magnetic Stripe Sensor	1
2	570588-001	Magnetic Stripe Sensor Mount	1
3	570477-001	Magnetic Stripe Rocker For Clear Card (Includes cable and encoder)	1
4	566752-001	Input Sensor	1
5	569697-001	Bracket, Input Sensor	1



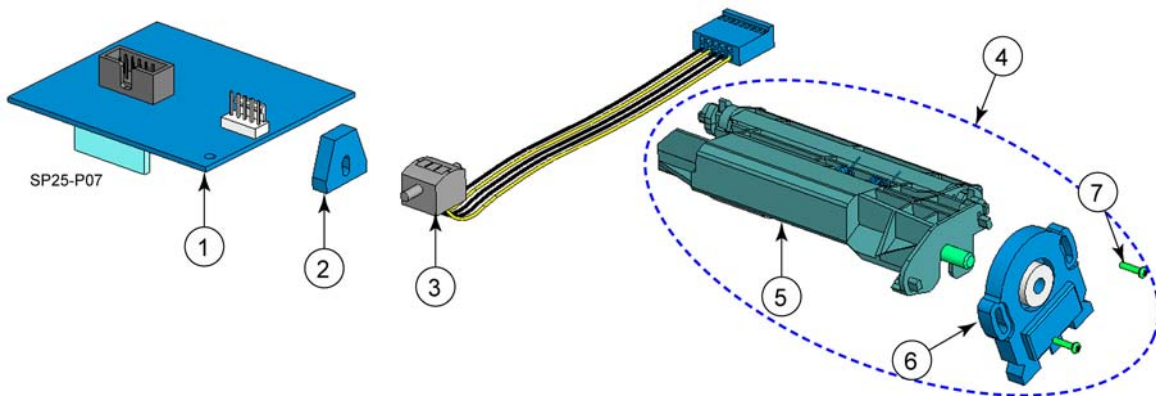
570202-001

SPms700

Magnetic Stripe Options

i Note: After replacing any of the magnetic stripe components listed below, you **must** complete the *Calibrate MS Head* procedure as described in the Adjustments chapter of the service manual.

Item	Part Number	Description	Qty
1	566320-001	3-Track Interface Board	1
	566320-002	1-Track Interface Board	
2	566753-001	Registration Sensor	1
3	568286-001	3-Track Magnetic Stripe Head	1
	568287-001	1-Track Magnetic Stripe Head	
4	562738-998	Rocker Assembly (Includes all items listed below)	1
5	566940-001	Rocker	1
-	566754-001	Encoder Cable	1
6	809413-001	Encoder ¹	1
7	809429-108	Screw, M1.8-0.80 x 8	2



¹ Datacard strongly recommends replacing the entire Rocker Assembly (PN 562738-998) if the encoder needs to be replaced. Rocker assemblies are tested at the factory for ISO 7811/JIS x6302 compliance for jitter, but individual encoders are not tested.

Smart Card Options

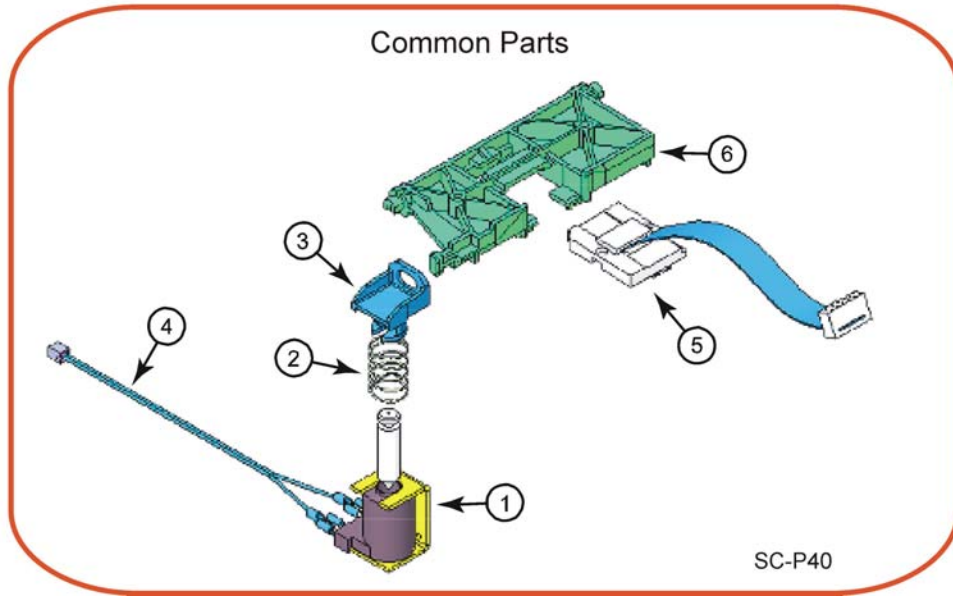
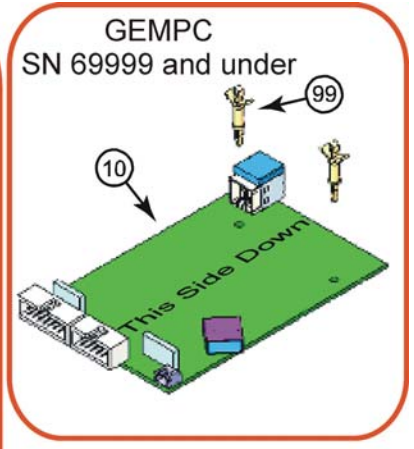
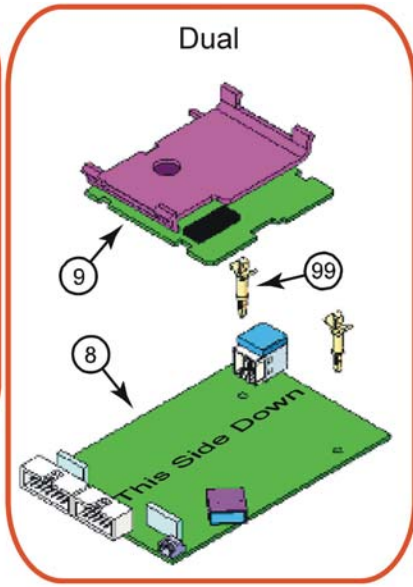
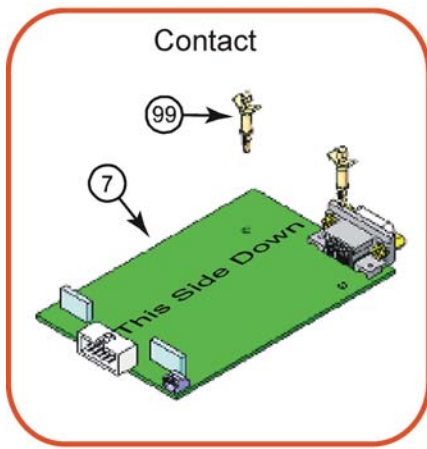
Item	Part Number		Class			Description	Qty
	(SN 70000 or greater)	(SN under 69999)	C	D	G		
---	568293-001	553170-001	x			SC Upgrade Kit, Contact	1
---	568296-001	558411-001		x		SC Upgrade Kit, Dual	1
---	568581-001	558077-001			x	SC Upgrade Kit, GemPC	1
1	566930-001	566930-001	x	x	x	Solenoid Assembly	1
2	568017-001	568017-001	x	x	x	Smart Card Lift Spring	1
3	551494-001	551494-001	x	x	x	Solenoid Plunger Link	1
4	566758-001	566758-001	x	x	x	Solenoid Cable	1
---	569441-999	569441-999	x			Contact Block Upgrade Assembly (includes cable below and items 5 and 6)	1
---	568561-001	---	X			Contact Station Cable	1
5	566348-001	---	x	x	x	Contact Block	1
6	568547-001	---	x	x	x	Contact Block Carrier	1
7	565341-003	551327-004	x			Contact Interface Board	1
8	565341-001	554782-003		x		Dual Interface Board	1
9	564350-999	564350-999		x		Dual Reader (with bracket)	1
---	566371-001	559633-001		x		Dual Interface Cable (not shown)	1
10	566586-999	552650-003			x	GemPC Interface Board	1
99	807519-106	807519-106	x	x		Circuit Board Standoff	2
---	559591-001	559591-001		x		Coupler Bracket	1
---	805798-001	805798-001		x		Double-sided Foam Tape	1

Key:

C = Contact

D = Dual (Contact and Contactless)

G = GemPC USB



Packaging

Part Number	Description	Qty
570077-005	Shipping Carton, SP35 Plus (with foam packing)	1
570077-001	Shipping Carton, SP35 (with foam packing)	1
803990-013	Plastic Bag, 10 x 8 x 30 inches	1
570332-001	Shipping Kit, SP35 Plus	1
551560-001	Shipping Kit, SP35	1

